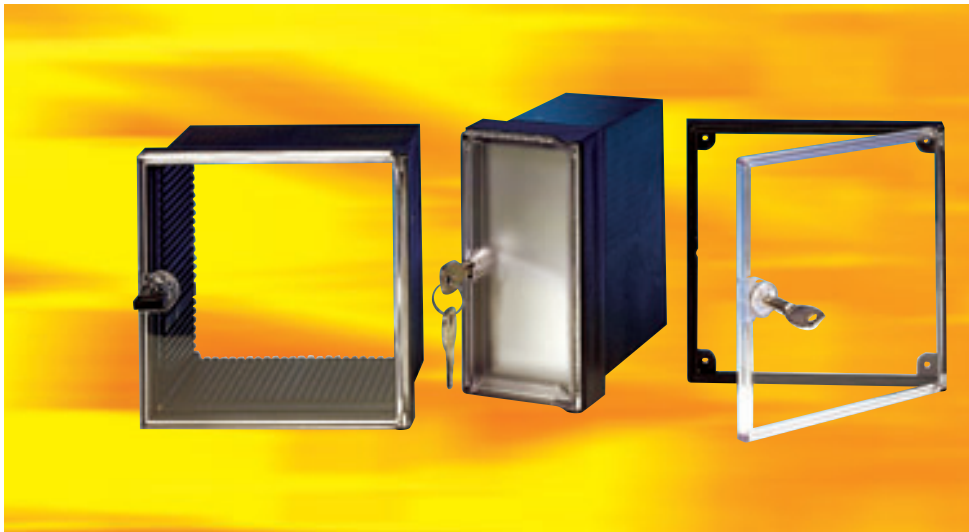




446/447 • Transparent door



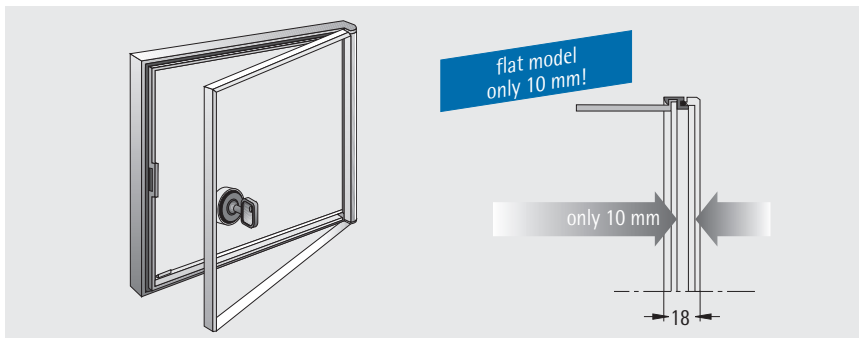
Transparent door with frame for panel instrument case in compliance with IEC 61554

- The clear, high-quality glass and stable frame of this injection moulded door guarantees high fitting accuracy and perfect sealing.
- High-grade materials ensure optimal impact strength and dimensional stability even in extreme temperatures.
- The door can easily be attached to the case in place of the front frame, but once attached it cannot be removed without the use of force.

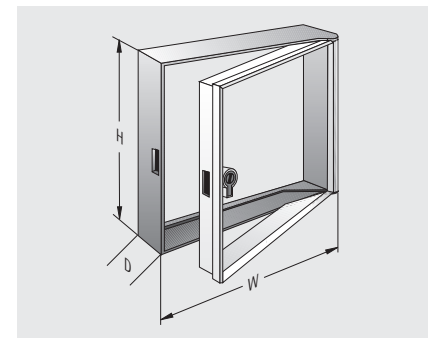
Degree of protection:

IP 42 in compliance with DIN 40050

Flat transparent door

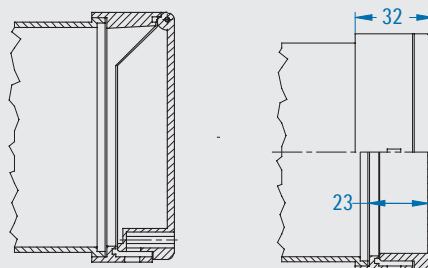


Transparent door



Specifications

- Door and frame on plastic case



Order information

Dimensions acc. to IEC 61554 W x H mm	Protection acc. to DIN 40050	Transparent door with lock (lockable)	Transparent door with plastic sash fastener	Flat transparent door with lock (lockable)	Flat transparent door with plastic sash fastener
144 x 144	IP 54	44-6050-01	44-6050-02	44-7050-01	44-7050-02
72 x 144	IP 54	44-6100-01	44-6100-02	-	-
96 x 96	IP 54	44-6040-01	44-6040-02	-	-
96 x 144	IP 42	44-6150-01	44-6150-02	-	-
96 x 48	IP 42	44-6090-01	44-6090-02	-	-
192 x 96	IP 42	44-6110-01	44-6110-02	-	-
192 x 144	IP 54	44-6120-01	44-6120-02	-	-
288 x 144	IP 42	44-6130-01	44-6130-02	-	-
72 x 72	IP 42	44-6030-01	44-6030-02	-	-

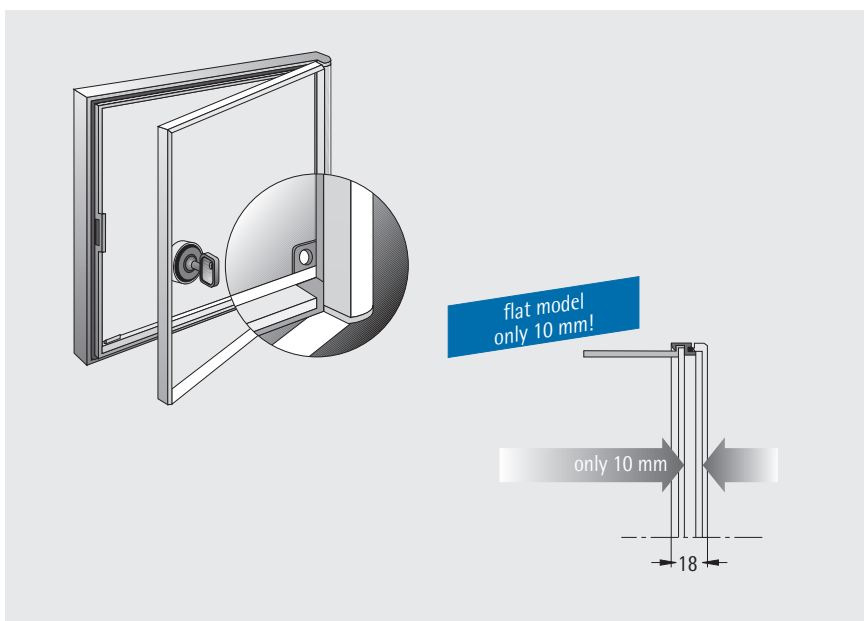


Transparent door with mounting brackets

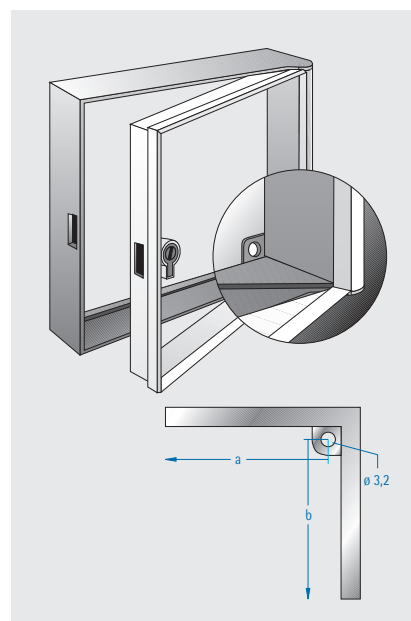
- **High-grade material: polycarbonate**
- high tensile and impact strength, door frame reinforced with glass fibre
- excellent electrical and dielectric properties
- excellent light permeability of transparent doors
- optimum dimensional stability
- heat distortion temperature per DIN 53461: 135°C
- Fire behaviour: self-extinguishing in compliance with UL 94 V-0



Flat transparent door



Transparent door



Order information

Dimensions mm	Standard transparent door with mounting brackets			Flat transparent door with mounting brackets			Sealing between frame and case*
	with lock (lockable)	with plastic sash fastener	Hole pattern a x b mm	with lock (lockable)	with plastic sash fastener	Hole pattern a x b mm	
144 x 144	44-6050-04	44-6050-05	125,9 x 125,3	44-7050-04	44-7050-05	125,5 x 125,5	-
72 x 144	44-6100-04	44-6100-05	52,5 x 125,6	-	-	-	-
96 x 96	44-6040-04	44-6040-05	77,2 x 76,8	-	-	-	44-6040-10
96 x 144	44-6150-04	44-6150-05	76,9 x 125,1	-	-	-	-
96 x 48	44-6090-04	44-6090-05	76,9 x 28,8	-	-	-	-
192 x 96	44-6110-04	44-6110-05	173,3 x 76,9	-	-	-	-
192 x 144	44-6120-04	44-6120-05	173,3 x 125,1	-	-	-	44-6120-10
288 x 144	44-6130-04	44-6130-05	269,5 x 125,1	-	-	-	44-6130-10
72 x 72	44-6030-04	44-6030-05	51,6 x 51,3	-	-	-	-

* Other sizes on request. Please ask us!